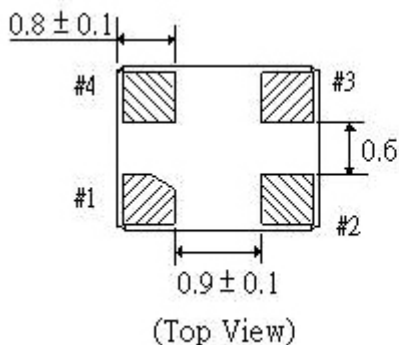
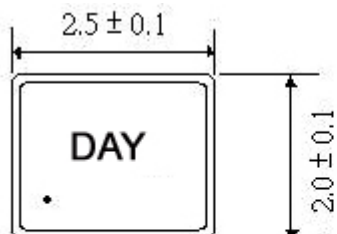


Crystal Oscillator Series

OSC 2520B

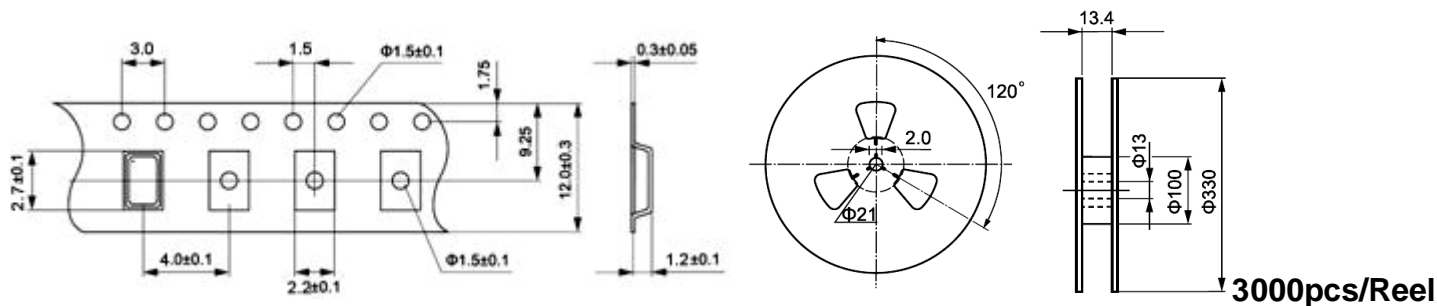
Dimensions



Pin	Connection
#1	E/D
#2	GND
#3	OUTPUT
#4	V _{DC}

UNIT:mm

Taping Specification



Reflow Soldering Profile

