

Quartz Crystal Series	<p>7050B</p> <p>Features</p> <ul style="list-style-type: none"> ◆ RoHS Compliant ◆ Ceramic/metal package 	

Electrical Specifications

Item	Specifications	Remarks
Nominal Frequency Range	6.000MHz to 48.000MHz	Fund.; AT-Cut
	40.000MHz to 133.000MHz	3 rd O.T.;AT-Cut
Frequency Tolerance	±20ppm(Standard) at 25°C±3°C	Others are offered
Load Capacitance	Fund.:10pF to ∞,O.T.:5pF to ∞	Please specify
Series Resistance	As ESR table	
Shunt Capacitance	7pF Max	
Drive Level	10μW to 100μW	1000μW Max
Operating Temperature	-20°C to +70°C(Standard)	Others are offered
Storage Temperature	-55°C to +125°C	
Stability vs. Temperature	±20ppm(Standard)	Others are offered
Insulated Resistance	500MΩ	Minimum
Aging	±2ppm/year	Maximum

ESR(Series Resistance)

Frequency(MHz)	Mode	Ohm Max	Frequency(MHz)	Mode	Ohm Max
6.0~15.9	Fund.;AT	60	40.0~79.9	3 rd O.T.;AT	80
16.0~48.0	Fund.;AT	40	80.0~133.0	3 rd O.T.;AT	60

Stability vs. Temperature

									Remarks
		1	2	3	5	6	7		
◆ Standard									
◇ Please specify		±10ppm	±20ppm	±30ppm	±50ppm	±15ppm	±25ppm		
B	-10°C to +60°C	◇				◇			
C	-20°C to +70°C	◇	◆	◇	◇	◇	◇	Standard	
D	-40°C to +85°C		◇	◇	◆	◇	◇		

Ordering Information

Q	R	Type	Pin	XX.XXXX	M	Mode	CL pF	Freq.Tolerance at 25°C	Operating Temp.	Stability Vs.Temp.	Option
Q:Quartz R:Resonator	75: 7.0*5.0mm	B:4	Center frequency 6.0 to 133.0MHz	M: MHz	F:Fund.;AT O: 3 rd O.T.;AT	See Table	±10ppm to ±50ppm	See Table	See Table	See Table	F:Lead Free Blank:T&R
<p>Example:QR75B13.5600MFT1C1F</p> <p>(Crystal,SMD7.0*5.0mm,13.5600MHz,4pins,12pF,+/-10ppm,-20 to +70deg,+/-10ppm.T&R,Lead free)</p>											

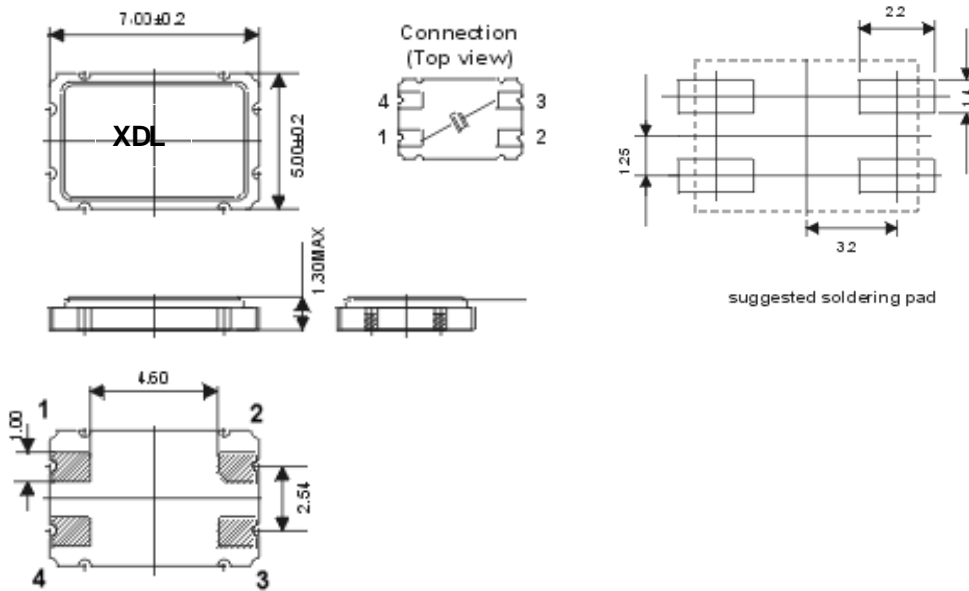
Quartz Crystal Series

7050B

Load Capacitance Codes

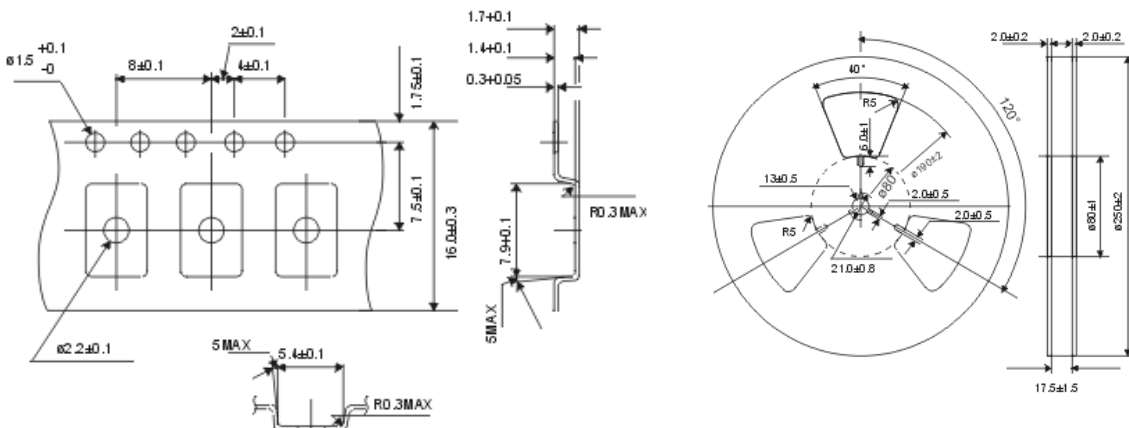
7pF: E	8pF: F	9pF: B	10pF: R
12pF: T	15pF: H	16pF: I	18pF: J
20pF: K	22pF: L	25pF: G	27pF: M
30pF: N	32pF: P	33pF: W	Series: S

Dimensions



Unit:mm

Taping Specification



1000pcs/Reel

Quartz Crystal Series

7050B

Reflow Soldering Profile

