

Ceramic Resonators		Features ◆ RoHS Compliant ◆ Through hole type	
ZTA	ZTT		

Electrical Specifications

Item	Specifications					
Type	ZTA MG	ZTT MG	ZTA MT	ZTT MT	ZTA MX	ZTT MX
Center Frequency Range	1.79MHz to 10.0MHz		10.1MHz to 16.0MHz		16.1MHz to 70.0MHz	
Series Resistance Max.	100Ω		30Ω		30Ω	
Frequency Stability	±0.5%(Standard) at 25°C±3°C					
Stability vs. Temperature	±0.3%					
Operating Temperature	-25°C to +85°C typical, -40°C to +125°C available					
Storage Temperature	-35°C to +90°C typical, -50°C to +135°C available					
Rating Voltage	D.C. Voltage		6V Max.			
	A.C. Voltage		15Vpp			
Insulated Resistance	100MΩ Min. at D.C. 100V					
Aging Over 10 Years	±0.3% Max.					

Ordering Information

C	R	Type	XX.XX	M	Material Color	Freq. Stability at 25°C	Operating Temp.	Stability Vs. Temp.	Option
C: Ceramic	R: Resonator	AG: ZTA MG AT: ZTA MT AX: ZTA MX TG: ZTT MG TT: ZTT MT TX: ZTT MX	Center frequency 1.79 to 70.0MHz	M: MHz	Y: Yellow B: Blue	3: ±0.3% 5: ±0.5%	C: -25 to +85°C D: -40 to +125°C	3: ±0.3% 5: ±0.5%	F: Lead Free T: T&R Blank: Bulk
Example: CRTT8.00MB5C3F (Ceramic, ZTT MT, 8.00MHz, Blue material, 3 pins, built-in capacitors, +/-0.3%, -25 to +85deg., Lead free)									

Dimensions ZTA (Without built-in capacitors)

		Unit:mm 1000pcs/Pag
--	--	---------------------------------

Dimensions ZTT (With built-in capacitors)

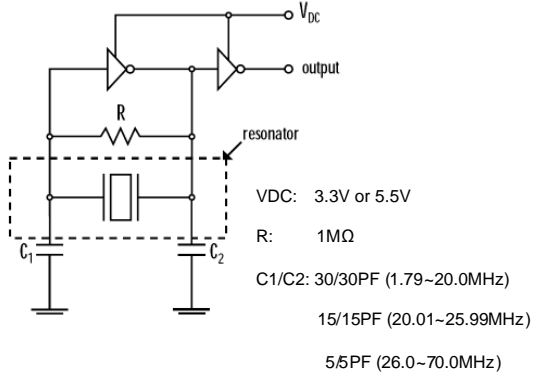
		Unit:mm 1000pcs/Pag
--	--	---------------------------------

Ceramic Resonators

ZTA ZTT

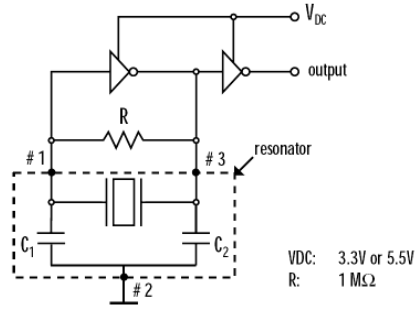
Test Circuit ZTA

without built-in capacitors

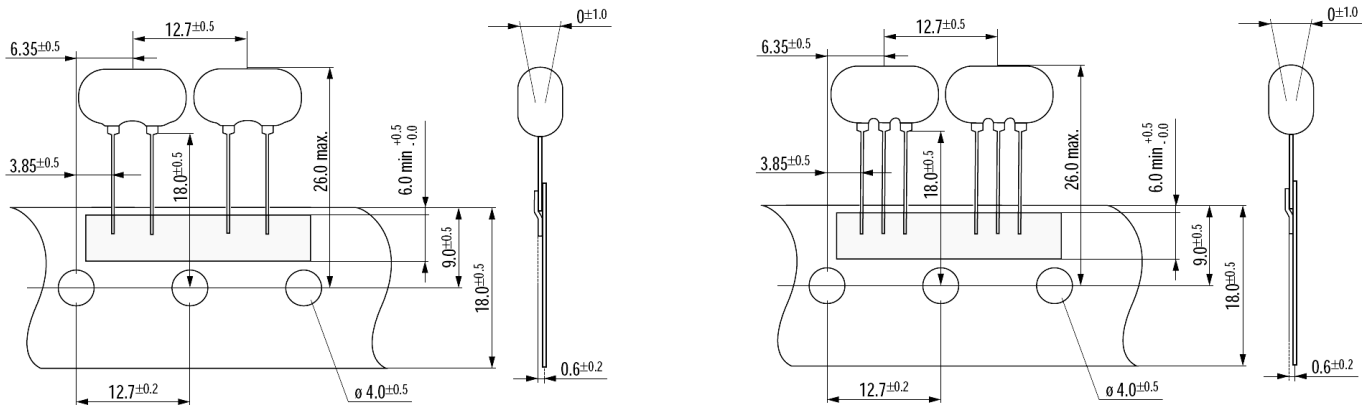


Test Circuit ZTT

with built-in capacitors



Taping Specification



2000pcs per pack

Reflow Soldering Profile

